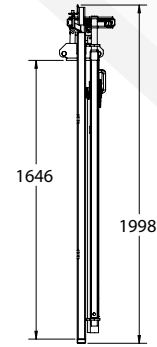
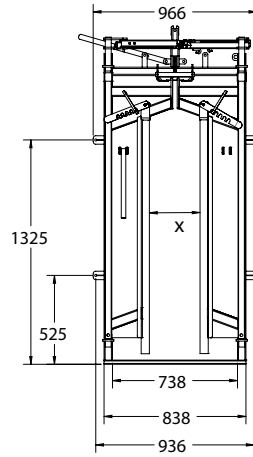




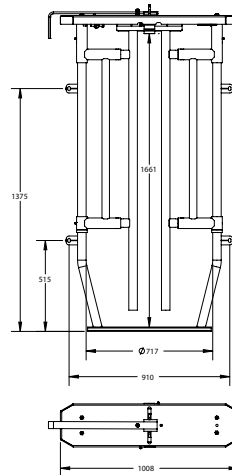
HEADLOCKING GATES



X
MAX 240
MIN 100

Nugent Beef Head Locking Gate

- Fully automatic resetting mechanism
- Spring close reset action
- Designed with sheeted front for strength and durability
- Quick adjustment system allows for fast efficient movement of front bars
- Specially reinforced backing frame allows for easy attachment to any cattle run
- This heavy, strong gate is suitable for large livestock
- The Nugent Beef Head Locking Gate is efficient for use with large numbers of livestock
- Fully hot dip galvanised

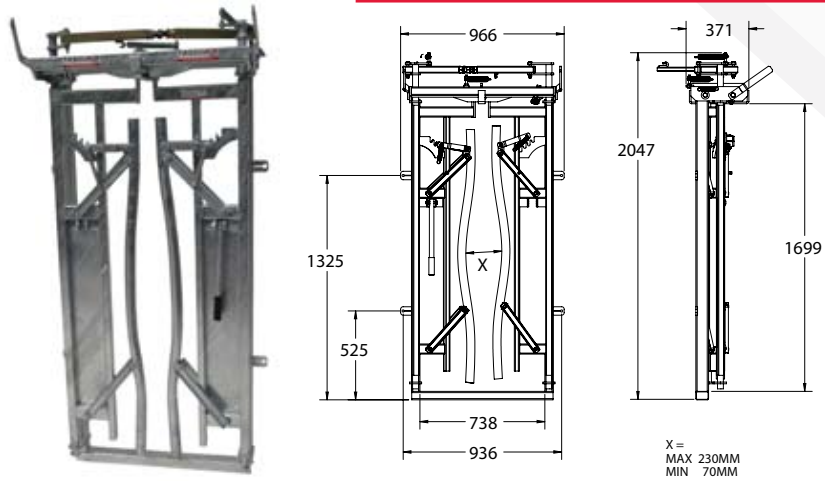


Nugent Dairy Head Locking Gate

- The Nugent Dairy Head Locking Gate has a simple 1 lever operation
- Neck bar adjusts on both sides
- Competitive price and simple operation makes it ideal for the smallest of farmers
- Will stay in the open position
- Gate has been revamped with both height and width increased to suit larger stock
- Fully hot dip galvanised

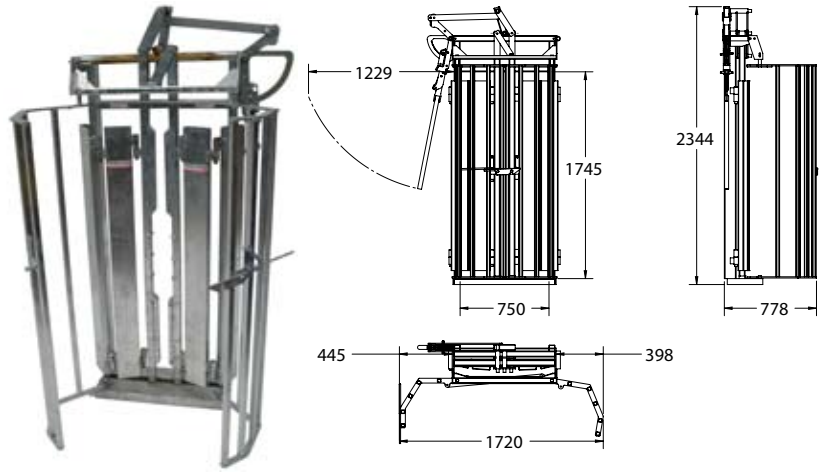


HEADLOCKING GATES



Nugent Universal Head Locking Gate

- The Nugent Universal Head Locking Gate is one of the few gates on the market that when adjusted to full opening will safely stay open
- When releasing an animal, the lever may be pulled half way resulting in the gate only opening forward, hence preventing the animal backing up the chute
- All quick adjust bars on the Universal are spring loaded allowing faster adjustment and more secure holding
- The Nugent Universal Head Locking gate is a perfect crush gate to complement any cattle run
- Quick adjust self-closing front gate
- Lock open facility to ease emptying of race
- Fully hot dip galvanised



Nugent Side Head Locking Gate

- The simple lever closes the two side neck bars simultaneously in a calm and gentle fashion to safely restrain the animal
- Perfect for lively animals as well as dairy and pedigree livestock
- Front cage provides safety for the operator
- The unique backing frame construction means this crush gate can be easily fitted to any cattle run

| MODEL | PRODUCT CODE | WEIGHT | INTERNAL WxH (mm) | OVERALL LxWxH (mm) |
|-----------------------------|--------------|--------|-------------------|--------------------|
| Universal Head Locking Gate | 10760 | 105kg | 738x 1699 | 371 x 966 x 2047 |
| Side Head Locking Gate | 11171 | 210kg | 750 x 1745 | 778 x 1720 x 2344 |
| Beef Head Locking Gate | 10255 | 93kg | 738 x 1646 | 260 x 966 x 1998 |
| Dairy Head Locking Gate | 19990 | 55kg | 717 x 1661 | 244 x 940 x 1850 |

The above specifications are approximate as our products are under continuous development, so there may be changes and adjustments.